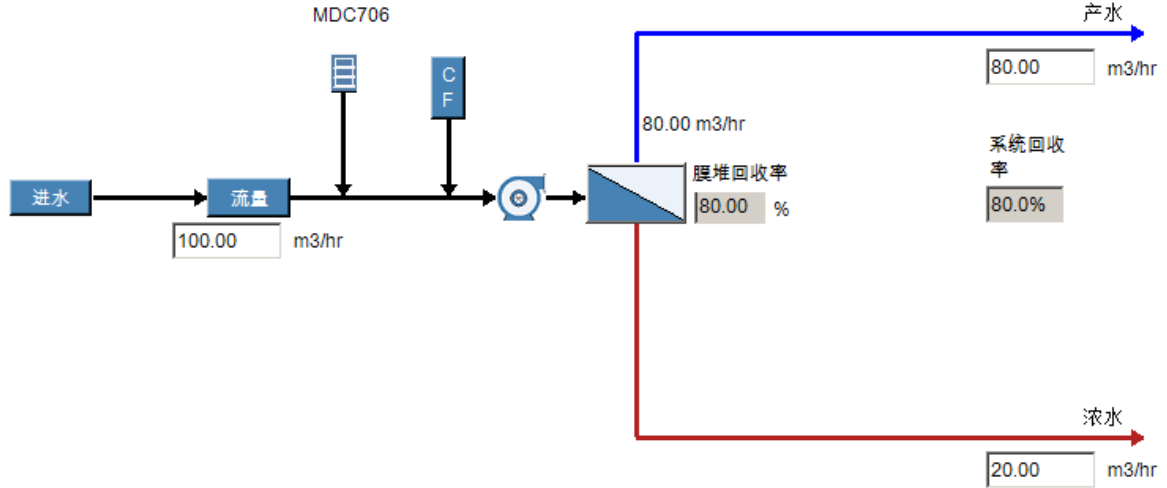


GE 阻垢核算报告

工艺流程图:



水质条件:

Ion	mg/l	meq/l	ppm as CaCO3
Calcium (Ca)	400.43	19.9826	1000.00
Magnesium (Mg)	121.42	9.9913	500.00
Sodium (Na)	332.52	14.4637	723.81
Potassium (K)	8.00	0.2046	10.24
Ammonia - N (NH4)	2.00	0.1104	5.52
Barium (Ba)	0.00	0.0000	0.00
Strontium (Sr)	0.00	0.0000	0.00
Iron (Fe)	0.00	0.0000	0.00
Manganese (Mn)	0.00	0.0000	0.00
Total Cations	864.37	44.7527	2239.58
Sulfate (SO4)	1000.00	20.8194	1041.88
Chloride (Cl)	562.28	15.8600	793.69
Fluoride (F)	0.00	0.0000	0.00
Nitrate (NO3)	5.00	0.0806	4.04
Bromide (Br)	0.00	0.0000	0.00
Phosphate (PO4)	0.00	0.0000	0.00
Boron (B)	0.00	0.0000	0.00
Silica (SiO2)	25.00	0.0006	0.03
Hydrogen Sulfide (H2S)	0.00	0.0000	0.00
Bicarbonate (HCO3)	486.77	7.9776	399.23
Carbon Dioxide (CO2)	58.15	0.0000	0.00
Carbonate (CO3)	0.43	0.0144	0.72
Total Anions	2079.48	44.7527	2239.58

参数	
	400
TDS (mg/l)	2943.854
pH	7
温度	25
SDI	4
回收率 (%)	80
难溶盐饱和度数据	
BaSO4	0.00 %
CaF2	0.00 %
CaSO4	45.95 %
SiO2	19.97 %
SrSO4	0.00 %
磷酸铵镁	0.000 %
LSI	0.25
Stiff-Davis 饱和指	0.40
渗透压	20.21 psi
电导率	3889 μ S/cm

阻垢剂选择:











